



Transformative
Projects

Success Stories

www.reliability.com.ar

Detailed Engineering for Pumping Systems



Sector: Mining.

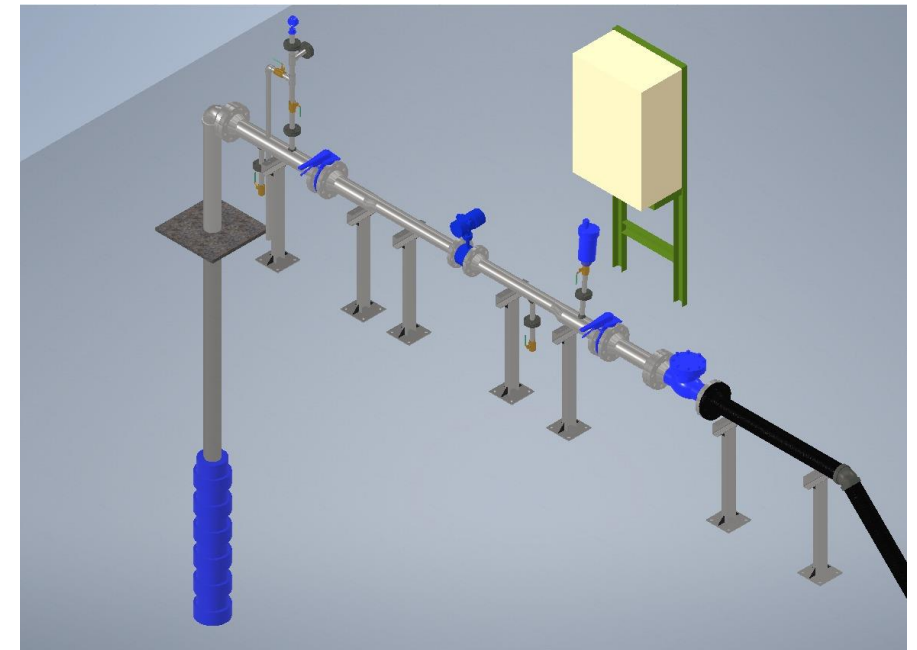
Location: Salta, Argentina.

Scope: Design of 18 brine pumping systems of 50 m³/h each. The installation allows its operation, measurement, maneuver, maintenance and remote SCADA control system.

Electromechanical modeling and simulation for decentralized modular manufacturing in workshops located in different geographical locations.

- Civil Engineering.
- Mechanical Engineering.
- Electric engineering.
- Control Engineering.
- Radio Link System.

Total duration: 120 days.



Detailed Engineering for Slurry Pipeline

Sector: Mining.

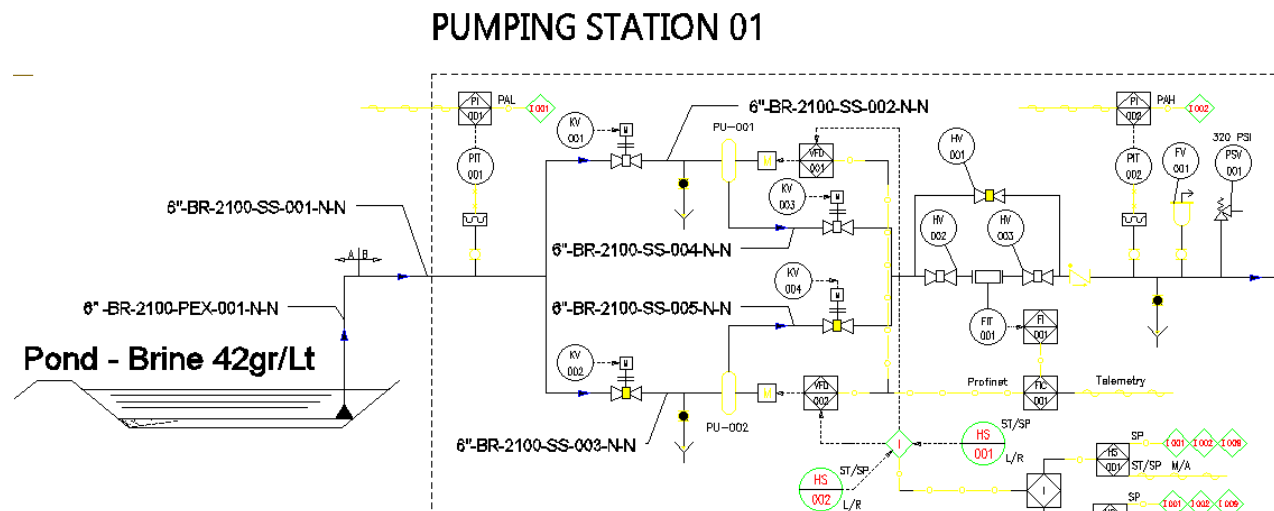
Location: Salta, Argentina.

Scope: Design of 5 lithium brine pumping stations (30 m³/h). The installation allows its operation, measurement, maneuver, maintenance and remote SCADA control system.

The electromechanical design of the surface installations was carried out under the modular concept to be manufactured in the workshop to only be assembled on site..

- Civil Engineering.
- Mechanical Engineering.
- Electric engineering.
- Control Engineering.
- Radio Link System.

Total duration: 150 days.



Transportation of minerals by rail

Sector: Mining.

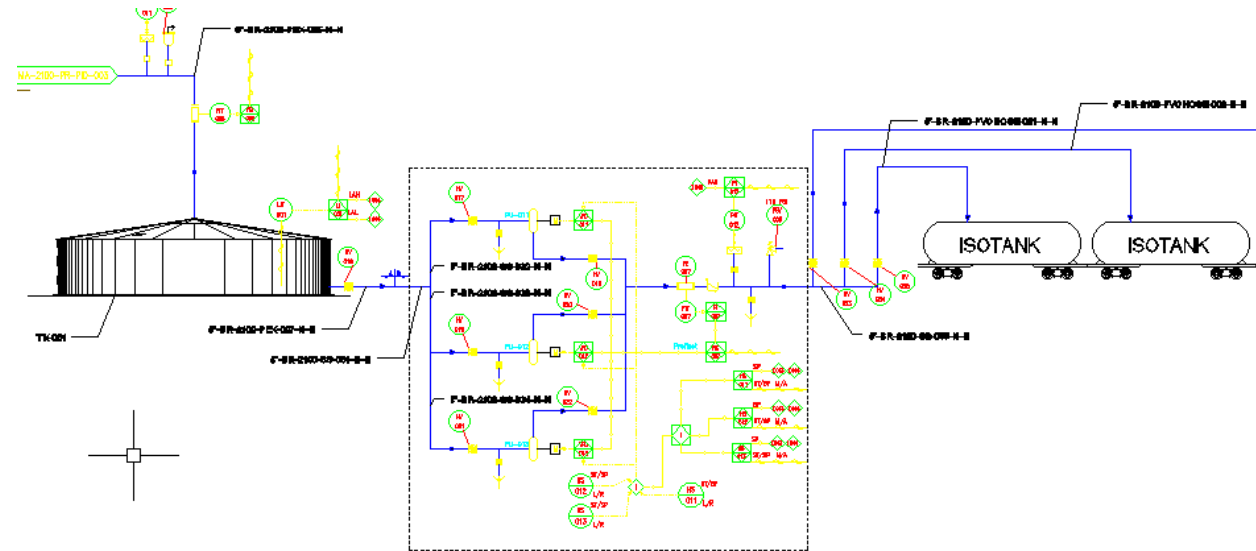
Location: Salta, Argentina.

Scope: Design of 3 brine pumping systems of 30 m³/h for loading railway isotanks. The installation allows its operation, measurement, maneuver, maintenance and remote SCADA control system.

The electromechanical design of the surface installations was carried out under the modular concept to be manufactured in the workshop to only be assembled on site.

- Civil Engineering.
- Mechanical Engineering.
- Electric engineering.
- Control Engineering.
- Radio Link System.

Total duration: 90 days.



Construction of pumping boards

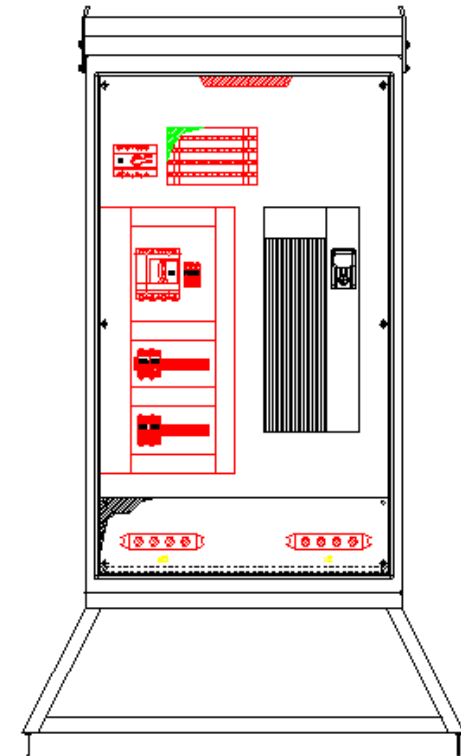
Sector: Mining-Lithium.

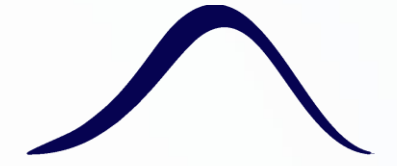
Location: Salta, Argentina.

Scope: Design and construction of 9 electrical panels for pumping fresh brine. The application included electrical distribution, variable frequency drive in PID loop, Wireless communication, application management through SCADA with recipes.

- Civil Engineering.
- Mechanical Engineering.
- Electric engineering.
- Control Engineering.
- Radio Link System.

Total duration: 60 days.





RELIABILITY



<https://reliability.com.ar/>

#WeAreTheChange